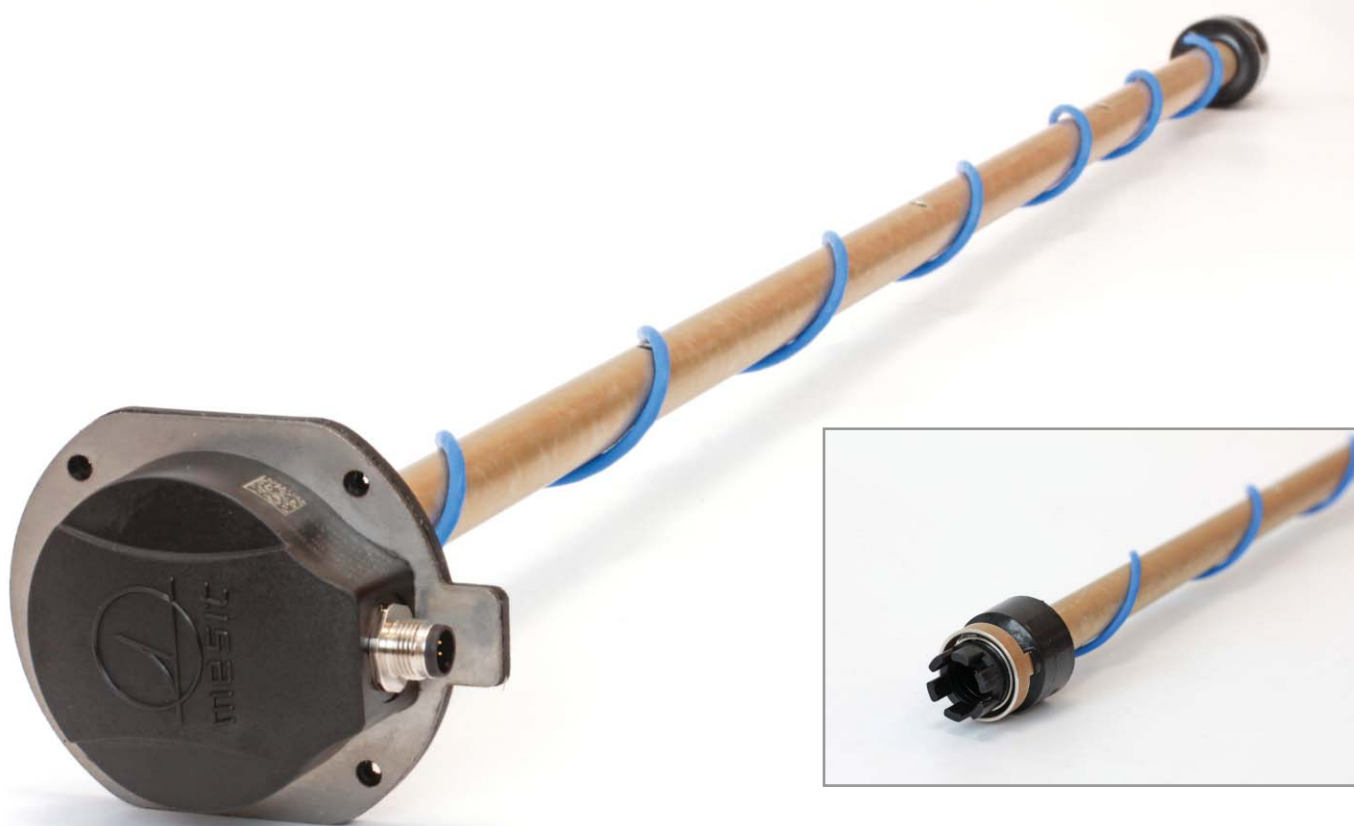


Fuel Level Meter LM4

A new solution for high-accuracy fuel measurement for road vehicles and machinery. The meter analyses the physical properties of various types of fuels, including biofuels.



Intelligent fuel measurement

Robust and highly reliable design

Easy installation with the possibility of shortening the length of the level meter

Multi-tank solution

Rapid detection of unauthorized fuel handling

Easy calibration and set-up via a PC

Option of automatic detection of the ignition key (according to the on-board voltage level)

Remote firmware updates

Simple sealing of the level meter

Sophisticated diagnostics of operational reports

Quick-coupling connector with IP69K protection



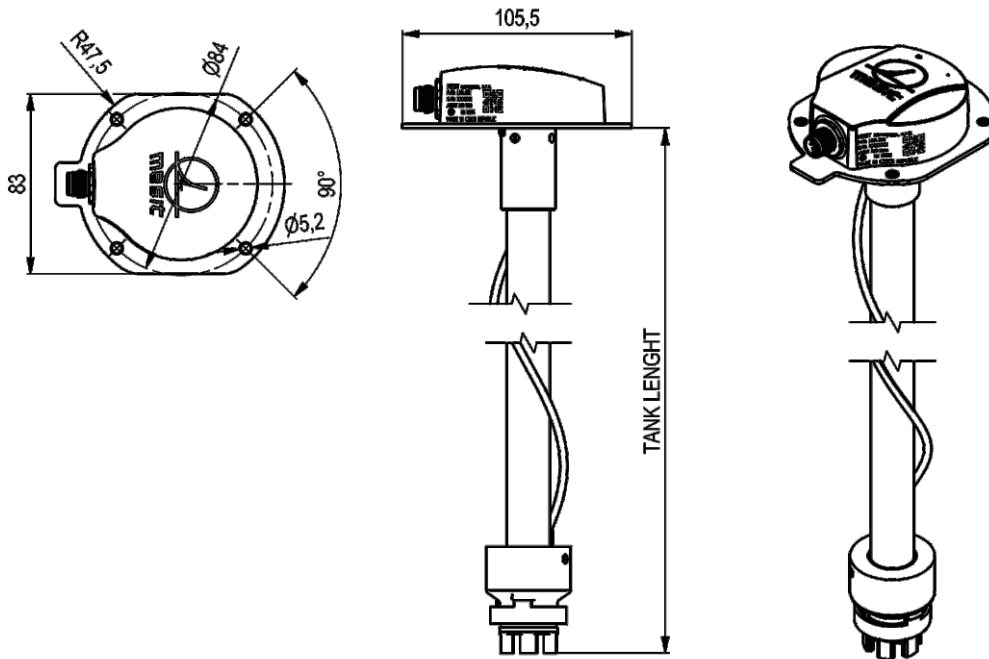
MESIT
asd

Fuel Level Meter LM4

The LM4 capacitive level meter is primarily intended for measuring the fuel tank level of road vehicles and machinery. It allows for continuous measurement of fuel levels (diesel, bio-diesel, petrol and oils). Capacitive level meters can also be installed for similar applications in stationary tanks, reservoirs, wells, etc. In vehicles, they are installed vertically in the upper part of tanks.

The capacitive level meter is a structural unit consisting of:

- transmitter head with built-in electronics,
- capacitive probe for fuel level sensing,
- capacitive compensation sensor for the measurement of the dielectric properties and temperature of the medium.



TECHNICAL PARAMETERS

Non-linearity	max. $\pm 0.85\%$
Temperature inaccuracy	max. $\pm 1\%$
Change compensation inaccuracy	max. $\pm 0.5\%$
Interface	CAN, RS 232
Measured medium	diesel, oil, petrol, biodiesel
Supply voltage	9 V to 36 V DC
Alarm input	open collector max. 50V/50 mA
Operating temperature	$-40\text{ }^{\circ}\text{C}$ to $+80\text{ }^{\circ}\text{C}$
Electrical, mechanical, chemical and climate resistance	ISO 16750
Electrical protection	IP69K – DIN 40050
Cable length (accessory)	10 m
Sensing probe length	1000 mm
Hole diameter for inserting the level meter into the tank	41 mm
Weight (without a cable)	0.7 kg



MESIT asd, s.r.o.
Sokolovská 573, Maratice
686 01 Uherské Hradiště
Czech Republic

asd@mesit.cz
T +420 572 522 200

Sales Department
aerospace@mesit.cz
T +420 572 522 804
F +420 572 522 806

www.mesit.cz

ID: 60709235
VAT No.: Cz60709235
Brno Commercial Register - C 15427
The document is subject to change.
It is not an offer for a contract.