

RM1 Radio Audio Monitor

Intended for voice monitoring and the operation of connected radios.

Makes the work of radio operators easier, helping to ensure that missions are successful.



An effective solution for vehicles that are not equipped with an intercom system. Also applicable for command and control posts, shelters, etc.

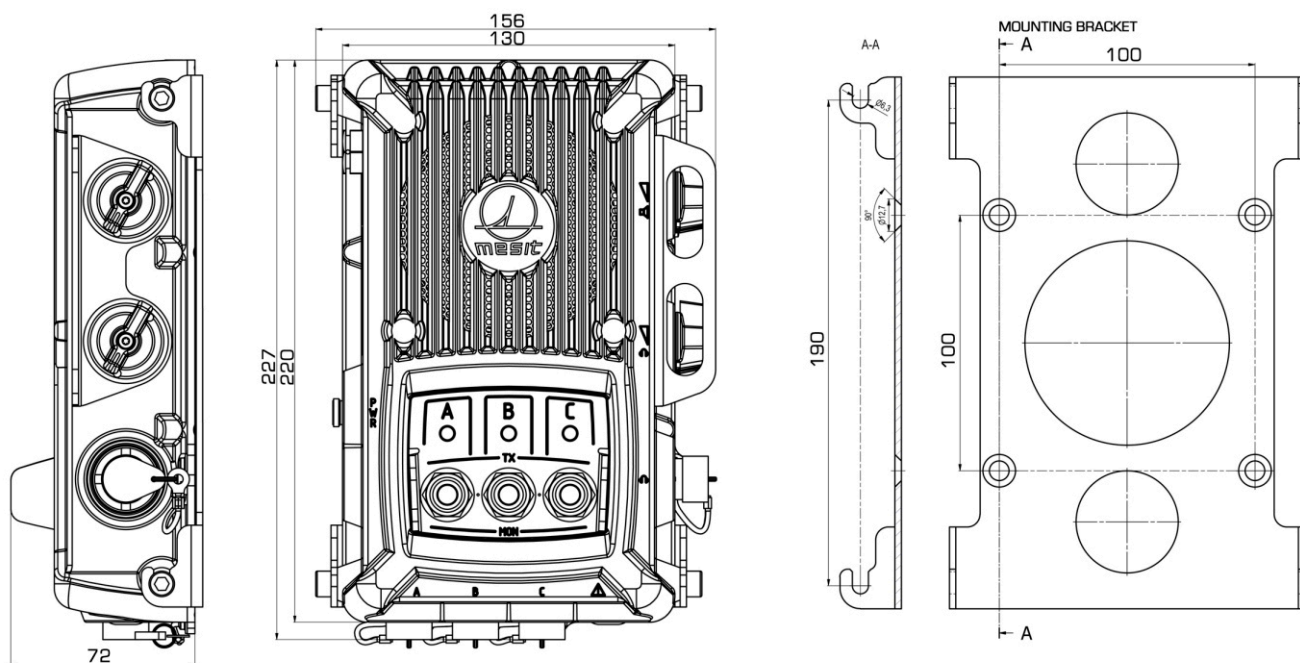
- For the crew of tactical vehicles & command posts
- Easy operation & installation
- Minimal training required
- Built-in amplified loudspeaker
- Volume control
- Visual indication of radio activity
- Keying and transmitting radio selectors
- Interface for microphone (handset or headset)
- Emergency call function for simultaneous transmission to all radios
- Software defined parameters



RM1

Radio Audio Monitor

SCALE DRAWING



TECHNICAL PARAMETERS

Nominal supply voltage 11 to 36 V DC (alternatives available on request)
 Operating temperature -40°C to +71°C
 Environment MIL-STD-461G, MIL-STD-810G

Available in various colors



458-07/18/EN



MESIT asd, s.r.o.
 Sokolovská 573, Mařatice
 686 01 Uherské Hradiště
 Czech Republic
 asd@mesit.cz
 T +420 572 522 200

Sales Department
 defence@mesit.cz
 T +420 572 522 603
 F +420 572 522 806
 www.mesit.cz

ID: 60709235
 VAT No: CZ60709235
 Brno Commercial register - C 15427
 All data are subject to change.
 This is not an offer for a contract.

